

Parts List



File No.

Air Conditioner

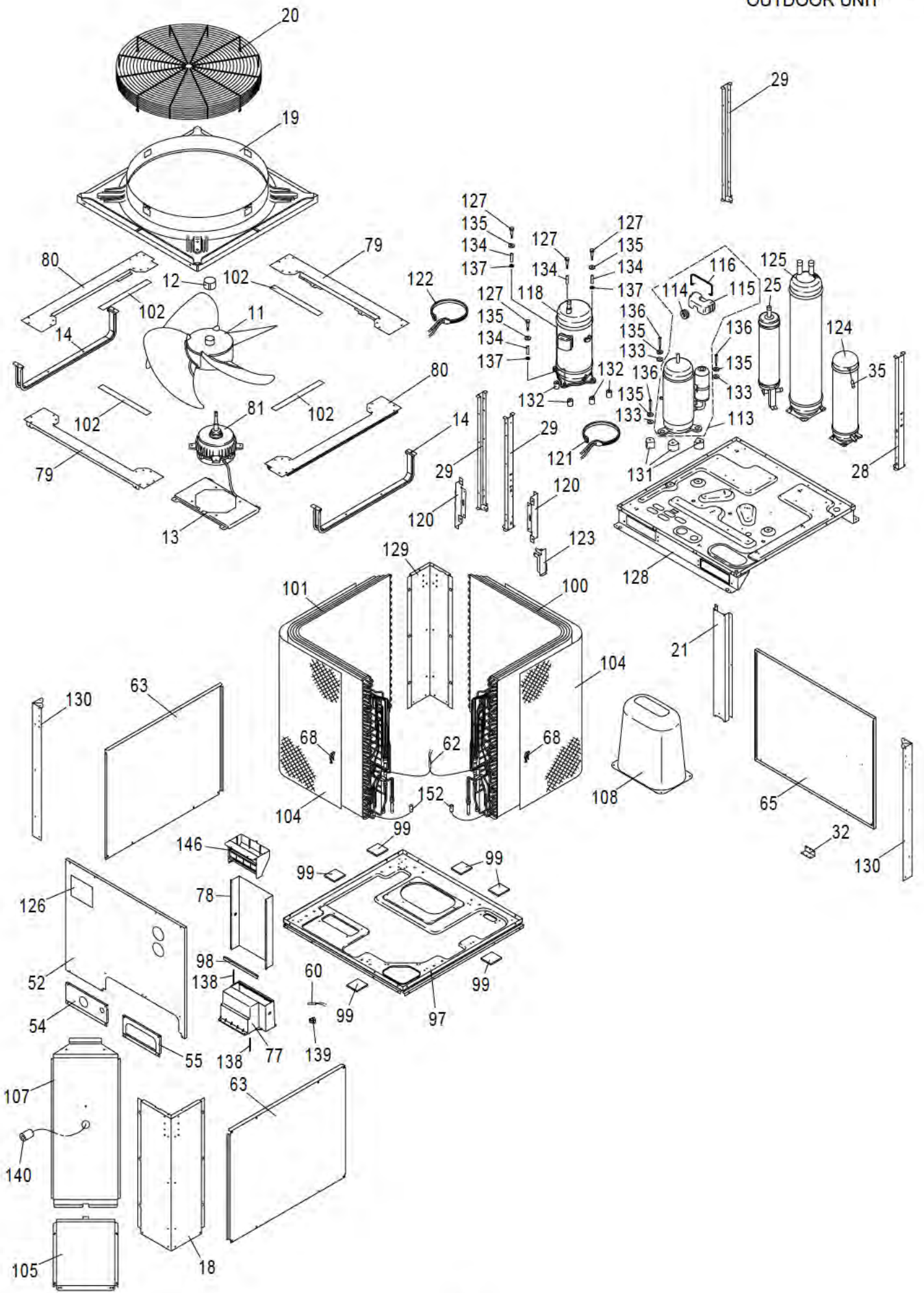
OUTDOOR UNIT
SPW-C0905DXH8

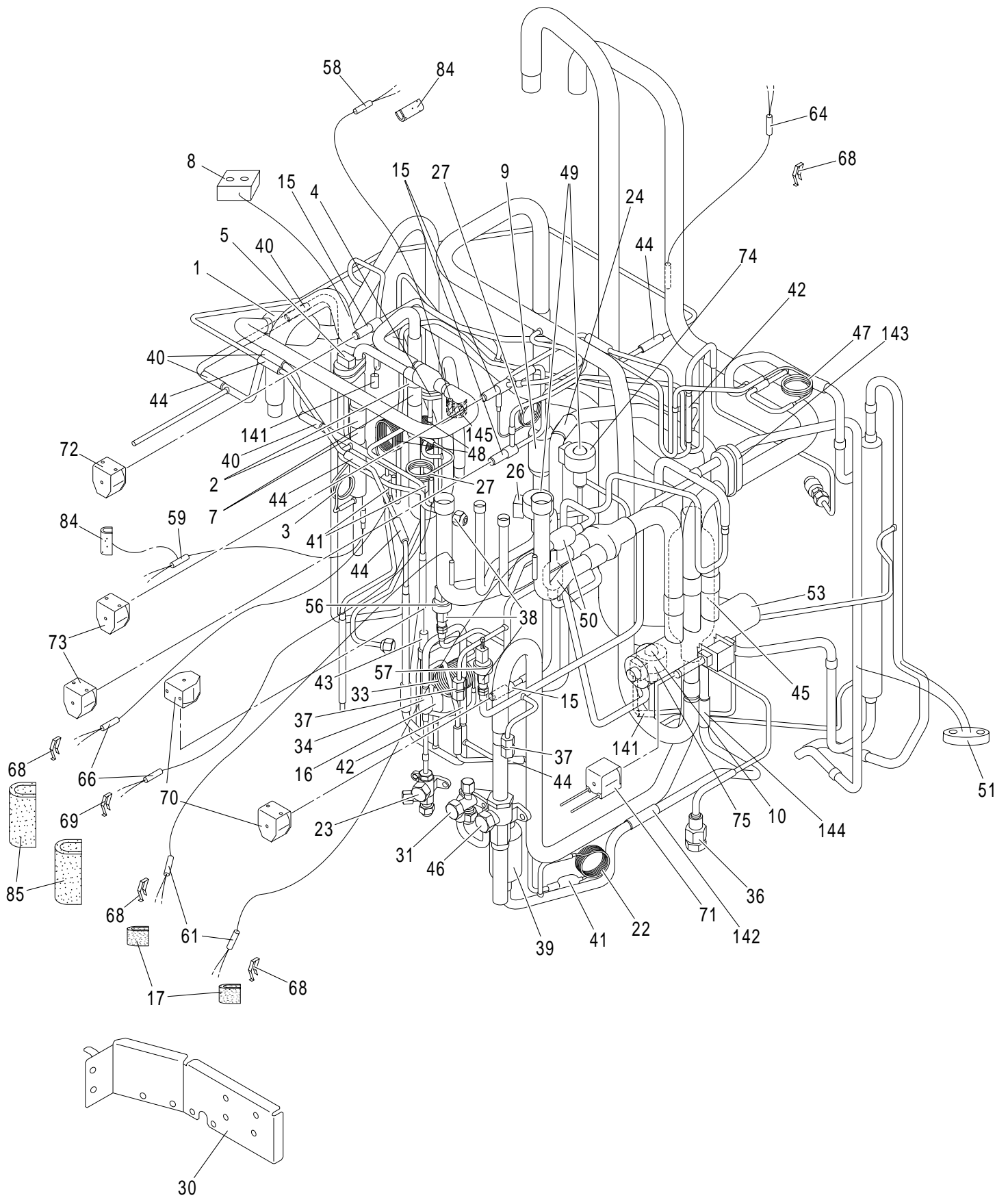
Made in Japan

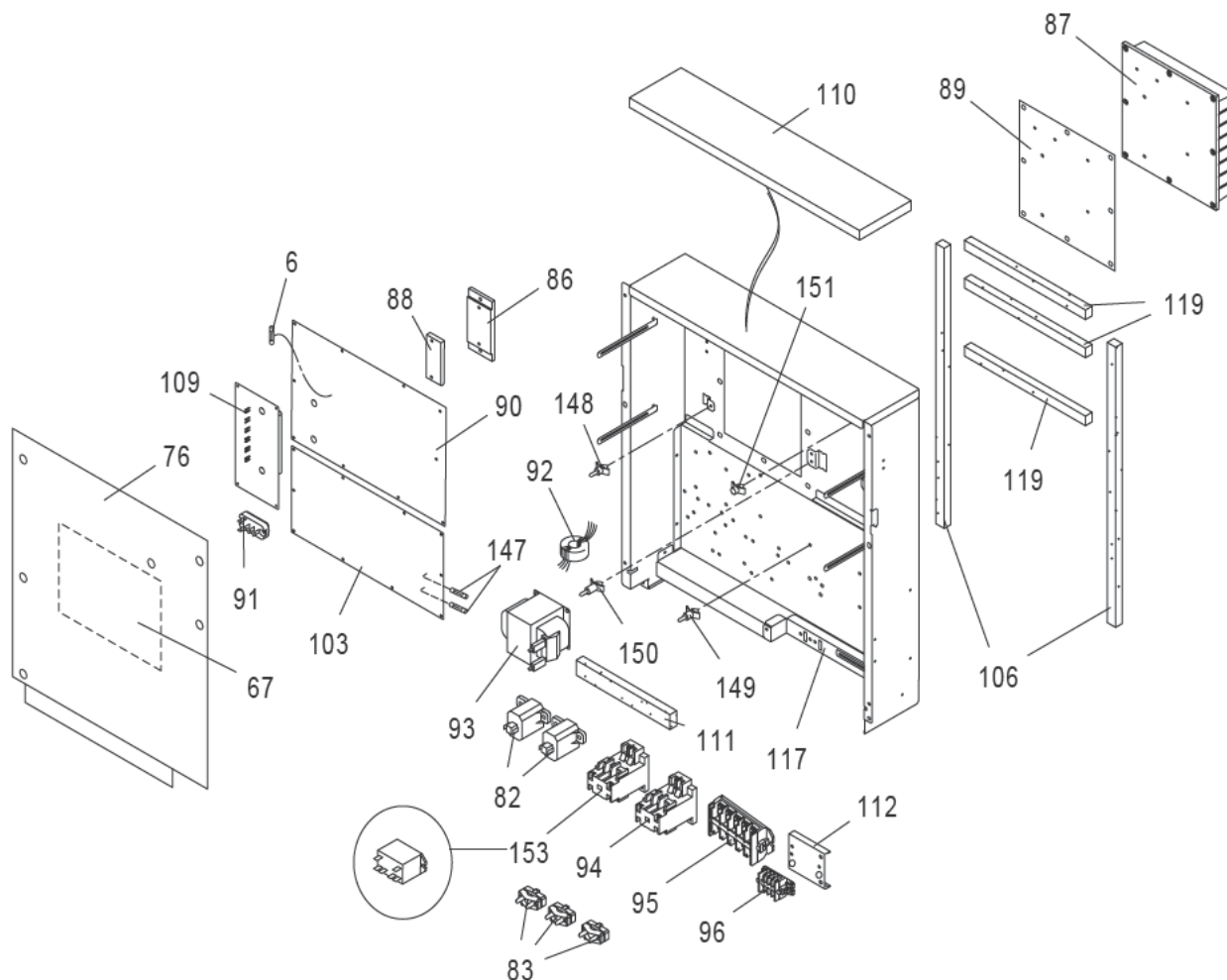
Model No.	Prod.Code	Volt-Phase-Hertz
SPW-C0905DXH8	1 854 027 80	380-415-3-50

REFERENCE No.PL 833308

SPW-C0905DXH8
OUTDOOR UNIT







Either relay (Key No.153) is used for the outdoor unit junction box.

However when replacing the relay for the models listed in table1 below please order the relay shown in the circle (Part No.623 131 2547 : G7L-2A-TUB).

Table 1.

Model Name	Intended Lot. No.
SPW-CR704GDZH8B	0000168~0001068
SPW-CR904GDZH8B	0000168~0001068
SPW-CR1154GDZH8B	0000168~0001068
SPW-CR1304GDZH8B	0000168~0000868
SPW-CR1404GDZH8B	0000168~0001068
SPW-C0705DXH8	0000168~0013268
SPW-C0905DXH8	0000168~0001868
SPW-C1155DXH8	0000168~0001068
SPW-C1305DXH8	0000168~0001068
SPW-C1405DXH8	0000168~0000768

ATTENTION !

To ensure correct parts supply, please let us know followings,
when you make service parts order:

1.Part No. 2.Description 3.Q'ty 4.Volts-Hz-Ph 5.Product Model No.

SPW-C0905DXH8
OUTDOOR UNIT

Key No.	Part No.	Description	Q'ty	Reference No.
1	623 043 4097	Strainer Ass'y	1	852-0-4506-14400
* 2	623 170 9361	Check Valve Ass'y BCV-1005DYQ45	2	854-0-4518-18600
3	623 170 9873	Capillary Tube	1	854-2-4237-25000
* 4	623 183 4100	Switch Ass'y ACB-1TB39W	1	8FA-0-5257-01500
* 5	623 183 4094	Switch Ass'y ACB-1TB39W	1	8FA-0-5257-01600
* 6	638 010 7827	Fuse BET6.3A	1	1FJ-4-S3A0-00600
7	623 177 4260	Mounting Plate	2	854-2-4134-70401
8	638 002 2397	Mounting Rubber, Tube	1	854-2-4315-16500
* 9	638 006 4168	Check Valve Ass'y	1	854-0-4518-17000
* 10	623 183 8207	Solenoid Control Valve UKV-18D39	1	829-2-4505-15300
11	638 011 4344	Propeller Fan Ass'y	1	826-0-2502-10300
12	623 166 5711	Cap	1	826-2-1124-11800
13	623 183 4131	Support Fan Motor	1	854-2-2516-39200
14	623 183 4124	Support Fan Motor	2	854-2-2516-39100
* 15	623 183 4117	Solenoid Valve TEV-1920D	4	854-2-4549-17100
16	623 043 3984	Strainer Ass'y	1	852-0-4506-13300
17	623 189 8928	Insulation Special	2	854-2-2411-49300
18	623 183 4193	Side Panel	1	854-2-1102-97401
19	623 170 9569	Top Cover	1	854-2-1106-40001
20	623 183 4186	Guard Ass'y	1	854-0-1113-25301
21	623 183 4179	Cover Plate	1	854-2-1133-42400
22	623 189 8904	Capillary Tube	1	854-2-4237-50000
23	623 189 8898	Valve Ass'y IVB-202TCS	1	854-0-4521-40000
24	638 021 4402	Mounting Rubber, Tube	1	854-2-4315-25000
25	623 189 8959	Oil Separator Ass'y	1	854-0-4523-17101
* 26	623 189 8942	Magnetic Coil Ass'y UKV-U031E	1	8FA-0-5251-09000
27	638 003 9814	Capillary Tube	2	854-2-4231-67900
28	623 183 4247	Mounting Plate	1	854-2-2361-99100
29	623 183 4230	Mounting Plate	3	854-2-2361-99200
30	623 189 8935	Support valve	1	854-2-4129-32800
31	623 181 1958	Valve Ass'y 3/8 in.	1	854-0-4504-32300
32	623 183 4216	Mounting Plate	1	854-2-2362-00300
33	623 189 8966	Capillary Tube	1	854-2-4237-50200
34	623 043 4202	Strainer Ass'y	1	852-0-4506-15900
35	623 000 5303	Half Union	1	3-9328-10200
36	623 191 4185	Fusible Plug	1	854-2-4306-15800
* 37	623 179 6279	Check Valve Ass'y	2	852-0-4204-13610
38	623 063 8280	Charge Port Ass'y	3	853-0-4514-80300
39	623 070 9287	Strainer Ass'y	1	854-0-4522-10200
40	623 119 3368	Mounting Rubber, Tube	4	854-2-4315-23300
41	623 184 6745	Strainer Ass'y	3	854-0-4522-15800
* 42	623 140 7731	Check Valve Ass'y FCV-3020DQ1	2	852-0-4204-13300
* 43	623 183 4278	Solenoid Valve TEV-1620DQ14	1	854-2-4549-17200
44	623 119 3320	Mounting Rubber, Tube	5	854-2-4315-23400
45	623 160 4543	Strainer Ass'y	1	826-0-4506-11400
46	623 189 8980	Valve Ass'y 3/4 in.	1	854-0-4507-28900
47	638 003 9883	Capillary Tube	1	854-2-4231-67600
48	623 189 8973	Capillary Tube	2	854-2-4237-50100
* 49	623 177 7476	Solenoid Control Valve UKV-30D40	2	854-2-4548-20800
50	623 101 8968	Strainer Ass'y	2	854-0-4522-13100

NOTE: Metal and plastic parts will be supplied basically with necessary heat insulation pads or packing. Each key number with an asterisk (*) means the recommended service parts.

ATTENTION !

To ensure correct parts supply, please let us know followings,
when you make service parts order:

1.Part No. 2.Description 3.Q'ty 4.Volts-Hz-Ph 5.Product Model No.

SPW-C0905DXH8
OUTDOOR UNIT

Key No.	Part No.	Description	Q'ty	Reference No.
51	623 171 0473	Mounting Rubber, Tube	1	854-2-4315-38700
52	623 183 4322	Front Panel	1	854-2-1116-203H1
* 53	623 181 5222	Reversing Valve STF-0712G	1	854-2-4508-18800
54	623 183 4308	Front Panel	1	854-2-1116-20201
55	623 183 4292	Front Panel	1	854-2-1116-20101
* 56	623 183 4285	Thermistor NSK-BC035I-082	1	1FA-4-V2E0-32200
* 57	623 183 4414	Thermistor NSK-BC035I-083	1	1FA-4-V2E0-32300
* 58	623 183 4407	Thermistor Ass'y PTC-51H	1	8FA-0-5259-10000
* 59	623 183 4391	Thermistor Ass'y PTC-51H	1	8FA-0-5259-10100
* 60	623 183 4384	Thermistor Ass'y PBM-41E	1	8FA-0-5259-10300
* 61	623 183 4377	Thermistor Ass'y PB2M-41E	1	8FA-0-5259-10500
* 62	623 183 4360	Thermistor Ass'y PB2M-41E	1	8FA-0-5259-10400
63	623 189 8997	Side Panel	2	854-2-1117-00101
* 64	623 183 4346	Thermistor Ass'y PB2M-41E	1	8FA-0-5259-11000
65	623 189 9048	Rear Panel	1	854-2-1103-37101
* 66	623 183 4452	Thermistor Ass'y PB2M-41E	1	8FA-0-5259-11200
67	623 192 9837	Elec. Wiring Diagram	1	8FA-2-5257-71200
68	623 148 5876	Mounting Thermostat	6	852-2-5303-22401
69	623 169 6487	Mounting Thermostat	1	852-2-5303-24801
* 70	623 192 9820	Magnetic Coil Ass'y TEV-MOAJ909B1	1	8FA-0-5251-17400
* 71	623 192 9813	Magnetic Coil Ass'y STF-01AJ512D1	1	8FA-0-5251-17500
* 72	623 192 9585	Magnetic Coil Ass'y TEV-MOAJ909B1	1	8FA-0-5251-07100
* 73	623 192 9530	Magnetic Coil Ass'y TEV-MOAJ909B1	1	8FA-0-5251-08100
* 74	623 189 9109	Magnetic Coil Ass'y UKV-U049E	1	8FA-0-5251-09300
* 75	623 189 9093	Magnetic Coil Ass'y UKV-U038E	1	8FA-0-5251-09500
76	623 183 4513	Cover,Elec.Component Box	1	854-2-5304-619H1
77	623 189 9086	Cover Plate	1	854-2-2342-86701
78	623 189 9079	Cover Plate	1	854-2-2342-86801
79	623 189 9062	Mounting Plate	2	854-2-1136-21310
80	623 189 9055	Mounting Plate	2	854-2-1136-21410
* 81	623 183 4537	Fan Motor GCG21804-T8SA	1	1FA-4-M4A0-09400
* 82	623 179 3186	Thermistor ZPR0YCE101A500	2	1FA-4-V2E0-25800
83	623 140 7595	Clip Wire	3	852-2-5304-16700
84	638 004 3279	Insulation Special	2	854-2-2410-88700
85	623 183 4896	Insulation Special	2	854-2-2411-49100
86	623 177 4550	Cooler	1	854-2-5325-17201
87	623 192 9608	Cooler	1	854-2-5325-18301
88	623 170 7718	Sheet	1	1FA-4-G1A0-01400
89	623 192 9615	Sheet	1	1FA-4-G1A0-08300
* 90	623 193 4725	Controller Ass'y CR-C1155DXH8	1	854-9-9536-05291
* 91	623 186 3278	Diode DF30AA120	1	1FA-4-V2D0-10400
* 92	623 183 4544	Transformer Ass'y CL-9	1	8FA-0-5263-02200
* 93	623 151 5382	Solenoid R502AD-TB	1	1FA-4-L5C0-01500
* 94	638 018 3029	Magnet Relay FC-1SZ607	1	1FJ-4-S2B0-12800
* 95	638 019 3875	Terminal Base KT80-5J-SA1842	1	1FJ-4-J3A0-08800
* 96	638 013 2164	Terminal Base KTM-4J	1	1FJ-4-J3A0-03900
* 97	623 192 9639	Drain Pan Ass'y	1	854-0-2301-64001
98	623 189 9161	Cover Plate	1	854-2-2342-869H1
99	623 183 4612	Sheet Rubber	6	854-2-1353-17300
* 100	623 192 9868	Heat Exch Ass'y	1	854-0-4124-57400

NOTE: Metal and plastic parts will be supplied basically with necessary heat insulation pads or packing. Each key number with an asterisk (*) means the recommended service parts.

ATTENTION !

To ensure correct parts supply, please let us know followings,
when you make service parts order:

1.Part No. 2.Description 3.Q'ty 4.Volts-Hz-Ph 5.Product Model No.

SPW-C0905DXH8
OUTDOOR UNIT

Key No.	Part No.	Description	Q'ty	Reference No.
* 101	623 192 9851	Heat Exch Ass'y	1	854-0-4124-57500
102	623 183 4940	Packing	4	854-2-2366-79800
* 103	623 193 4732	P.C.B. Ass'y FIL-CR1154GDZH8	1	854-9-9536-05294
104	623 183 4568	Guard	2	854-2-1113-27800
105	623 189 9215	Mounting Plate	1	854-2-2362-06500
106	623 189 9208	Packing	2	854-2-2366-90500
107	623 192 9875	Cover Plate	1	854-2-2342-87600
108	623 189 9185	Cover Plate	1	854-2-2342-86301
* 109	623 193 2981	P.C.B. Ass'y HIC-C1155GDXH8	1	854-9-9536-05293
110	623 183 4964	Insulation	1	854-2-1408-95400
111	623 183 4957	Packing	1	854-2-2366-81200
112	623 179 3117	Mounting Plate	1	854-2-5309-32401
* 113	623 182 3883	Compressor Ass'y C-9RVN273H0U	1	854-0-4525-29600
114	623 169 5190	Eyelet Rubber Lead Wire	1	801-2-5304-12600
115	626 040 0826	Cap Terminal Cover	1	801-2-6195-10700
116	626 040 0512	Clip	1	801-2-5340-10500
117	623 192 9653	Elec Component Box Ass'y	1	854-0-5311-06201
* 118	623 184 4666	Compressor Ass'y E505DH-49D2Y	1	854-0-4525-30500
119	623 189 9222	Packing	3	854-2-2366-90600
120	623 183 4711	Mounting Plate	2	854-2-2362-00201
* 121	623 183 4827	Heater Ass'y	1	8FA-0-5255-01600
* 122	623 183 4810	Heater Ass'y	1	8FA-0-5255-01700
123	623 183 4803	Mounting Plate	1	854-2-2362-00101
124	623 183 4797	Receiver Tank Ass'y	1	854-0-4110-90311
125	623 192 9899	Accumulator Ass'y	1	854-0-4517-51701
126	623 192 9882	Badge	1	854-2-1354-31905
127	623 183 4766	Hexagon Bolt	4	3-9240-65510
128	623 183 4759	Bottom Plate Ass'y	1	854-0-2204-65410
129	623 183 4841	Side Panel	1	854-2-1102-97501
130	623 183 4834	Side Panel	2	854-2-1102-97601
131	623 077 2564	Cushion Rubber	3	854-2-2318-13200
132	623 183 4643	Cushion Rubber	4	854-2-2318-20100
133	623 183 4650	Spacer	3	854-2-2349-22000
134	623 183 4582	Spacer	4	854-2-2349-21900
135	623 095 4960	Washer Special	6	854-2-1355-13300
136	623 170 9422	Bolt Special	3	854-2-2348-15400
137	623 027 0398	Eyelet	3	800-2-5309-10600
138	628 012 9219	Fixture Cord	2	731-2-5323-12000
139	623 027 4990	Bushing	1	800-2-5337-17900
140	623 118 1594	Insulation Special	1	854-2-2410-73000
141	638 018 5689	Mounting Rubber, Tube	2	854-2-4315-23700
142	623 102 5027	Mounting Rubber, Tube	1	854-2-4315-21200
143	623 188 0756	Mounting Rubber, Tube	1	854-2-4315-25600
144	638 018 1759	Mounting Rubber, Tube	1	854-2-4315-26600
145	623 052 9359	Vibration Insulation	2	852-2-2475-15400
146	623 189 9307	Cover Plate	1	854-2-2342-86601
* 147	623 183 4339	Fuse SHV14-20A	2	1FA-4-S3A0-19300
148	623 096 5966	Spacer SPLSN-4	10	851-2-5366-03700
149	623 097 1677	Spacer SPLSN-6	6	851-2-5366-03800
150	623 184 2136	Spacer SPLSN-7	3	851-2-5366-03900

NOTE: Metal and plastic parts will be supplied basically with necessary heat insulation pads or packing. Each key number with an asterisk (*) means the recommended service parts.

ATTENTION !

To ensure correct parts supply, please let us know followings,
when you make service parts order:

SPW-C0905DXH8
OUTDOOR UNIT

1.Part No. 2.Description 3.Q'ty 4.Volts-Hz-Ph 5.Product Model No.

Key No.	Part No.	Description	Q'ty	Reference No.
151	623 096 5973	Spacer SPSN-4	1	851-2-5366-04100
152	623 129 3655	Mounting Rubber, Tube	2	854-2-4315-25400
* 153	638 018 3029	Magnet Relay FC-1SZ607	1	1FJ-4-S2B0-12800
	623 131 2547	Relay G7L-2A-TUB	1	4-2329-56722

NOTE: Metal and plastic parts will be supplied basically
with necessary heat insulation pads or packing.
Each key number with an asterisk (*) means the
recommended service parts.



SANYO Electric Co.,Ltd
Osaka, Japan
3/06 Printed in Japan